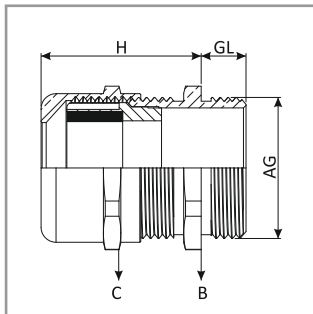


UAG SINGLE COMPRESSION CABLE GLANDS



ORTAC **Ex** MERAPI SERIES



UNARMoured CABLE GLANDS
UAG SERIES

TECHNICAL DETAILS

- Type : UAG (Un-ar) Unarmoured gland
- Protection code : I M2 Ex db I Mb / I M2 Ex eb I Mb II 2G Ex db IIC Gb / II 2G Ex eb II Gb II 2D Ex tb IIIC Db
- Certificate : IEP 14 ATEX 0217X
ATEX, ROHS, CE
- Material : MS58 Brass with or without nickel plated
Stainless steel AISI303 / 316L / Aluminium
- Standards : EN 60079-0:2012, 60079-7:2007, 60079-1:2007
60079-31:2009
- Protection class : IP68
- Temperature : -30 °C +120 °C NBR
-40 °C +100 °C NEOPRENE
-60 °C +180 °C SILICONE
-30 °C +100 °C TPE/V
- Application area : ZONE1, ZONE2, ZONE21, ZONE22,
Gas Group IIA, IIB, IIC
- Cable type : Unarmoured

PRODUCT RANGE OVERVIEW

Product Size	Product Code	Standard AG	AG	GL min. mm	Clamping Range mm	B mm	C
Exd							
12	UAGXX-12-X	M12x1,5	1/4"	15	3-6,5	14	14
16	UAGXX-16-X	M16x1,5	3/8"	15	4-8	18	17
20s	UAGXX-20s-X	M20x1,5	1/2"	15	4-10	22	22
20	UAGXX-20-X	M20x1,5	1/2"	15	6-12	22	22
25s	UAGXX-25s-X	M25x1,5	3/4"	15	10-14	27	24
25	UAGXX-25-X	M25x1,5	3/4"	15	13-18	30	30
25L	UAGXX-25L-X	M25x1,5	3/4"	15	9-17	30	30
32	UAGXX-32-X	M32x1,5	1"	15	13-18	34	30
40	UAGXX-40-X	M40x1,5	1 1/4"	15	18-25	43	40
50	UAGXX-50-X	M50x1,5	1 1/2"	15	22-32	55	50
63s	UAGXX-63s-X	M63x1,5	2"	15	33-44	70	64
63	UAGXX-63-X	M63x1,5	2"	15	45-50	70	75
75s	UAGXX-75s-X	M75x1,5	2 1/2"	20	45-55	85	75
75	UAGXX-75-X	M75x1,5	2 1/2"	20	50-63	90	90
80	UAGXX-80-X	M80x2,0	3"	20	50-63	90	90
90	UAGXX-90-X	M90x2,0	3"	20	60-70	100	100
Exe							
12	EUAGXX-12-X	M12x1,5	1/4"	6	3-6,5	14	14
16	EUAGXX-16-X	M16x1,5	3/8"	7	4-8	18	17
20	EUAGXX-20-X	M20x1,5	1/2"	8	6-12	22	22
25s	EUAGXX-25s-X	M25x1,5	3/4"	8	10-14	27	24
25	EUAGXX-25-X	M25x1,5	3/4"	8	13-18	30	30
32	EUAGXX-32-X	M32x1,5	1"	9	13-18	34	30
40	EUAGXX-40-X	M40x1,5	1 1/4"	9	18-25	43	40
50	EUAGXX-50-X	M50x1,5	1 1/2"	9	22-32	55	50
63s	EUAGXX-63s-X	M63x1,5	2"	14	33-44	68	64